



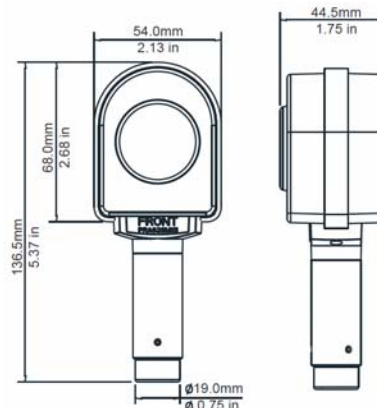
The Superlux PRA-628MKII microphone is a general purpose instrument dynamic microphone with a flat grill for up-close miking. It has an extended frequency response, high SPL capacity, supercardioid directivity and high gain before feedback.

The flat-profile side address mounted capsule design is optimized for miking guitar amps face on and extremely close to the signal source. The supercardioid pick-up pattern provides excellent gain before feedback and isolates the sound source while minimizing background noise. It was designed primarily for use with guitar amplifiers but the PRAS628MKII's extended frequency response, directivity and high SPL capability makes it suitable for drums, brass or other instrument pickup.

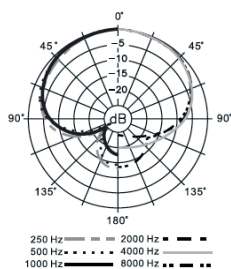
Whether it's used for live sound reinforcement or studio recording, the Superlux PRA-628MKII is an excellent. With an included HM12DA gooseneck clamp; HM10 mic clip and soft storage pouch, it is a valuable tool for any professional audio engineer.

SPECIFICATIONS

Element	Dynamic
Polar Pattern	Supercardioid
Frequency response	80—18,000 Hz
Sensitivity	-55 dBV/Pa (1.8 mV)
Max SPL	150 dB
Output Impedance	200 Ω
Connector	XLR M
Weight / Finish	6.6 oz. / Champagne Silver/Black



Typical Polar Pattern



Frequency Chart

