

Superlux[®]**CONTRACTOR GRADE****E303 Boundary Microphone**

Superlux E303W & E303B



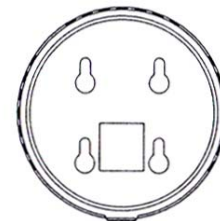
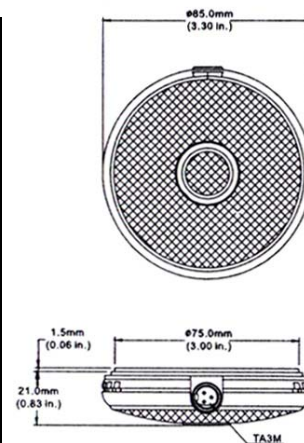
The Superlux family of boundary microphones represent exceptional value and performance in the installed sound, sound reinforcement and recording environments.

The E303 is a professional solution for teleconferencing, distance learning, courtroom, conference and meeting rooms, stage, council chambers and worship applications. Elegant and unobtrusive, the E303 features a back electret cardioid condenser, wide dynamic range, low noise balanced inline preamplifier and XLR connectivity with detachable cable.

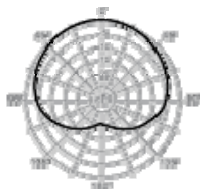
Available in black or white with a 10 meter cable the Superlux E303 has an extended frequency response, high sensitivity and a clear sound without coloration. This versatile microphone is an excellent choice for any situation where high quality sound and low-profile aesthetics are essential.

SPECIFICATIONS

Element	Back Electret Condenser
Polar Pattern	Cardioid
Frequency Response	30—18,000 Hz
Sensitivity	-39dB/V (11.2mV/Pa) at 1000 Hz ± 3dB
Equivalent Noise	< 24dB (A-weighted)
Impedance	600 Ohms
Max SPL	127dB at 1000 Hz (THD ≤ 1% 1kHz)
Dynamic Range	103dB (1000 ohm load)
Phantom Power Requirements	9 to 52VDC
Finish	Low Gloss White or Black
Cable	33 foot TA3F / XLRM
Connector	3 pin Male XLR
Weight	6.30 oz.
RoHS	Product and Packaging Follow EU 2002/95/EC



E304


Avlex
 Corporation
Toll Free: 877-447-9216 Toll Free Fax: 877-462-9216 www.avlex.com