

MIPRO

User Guide

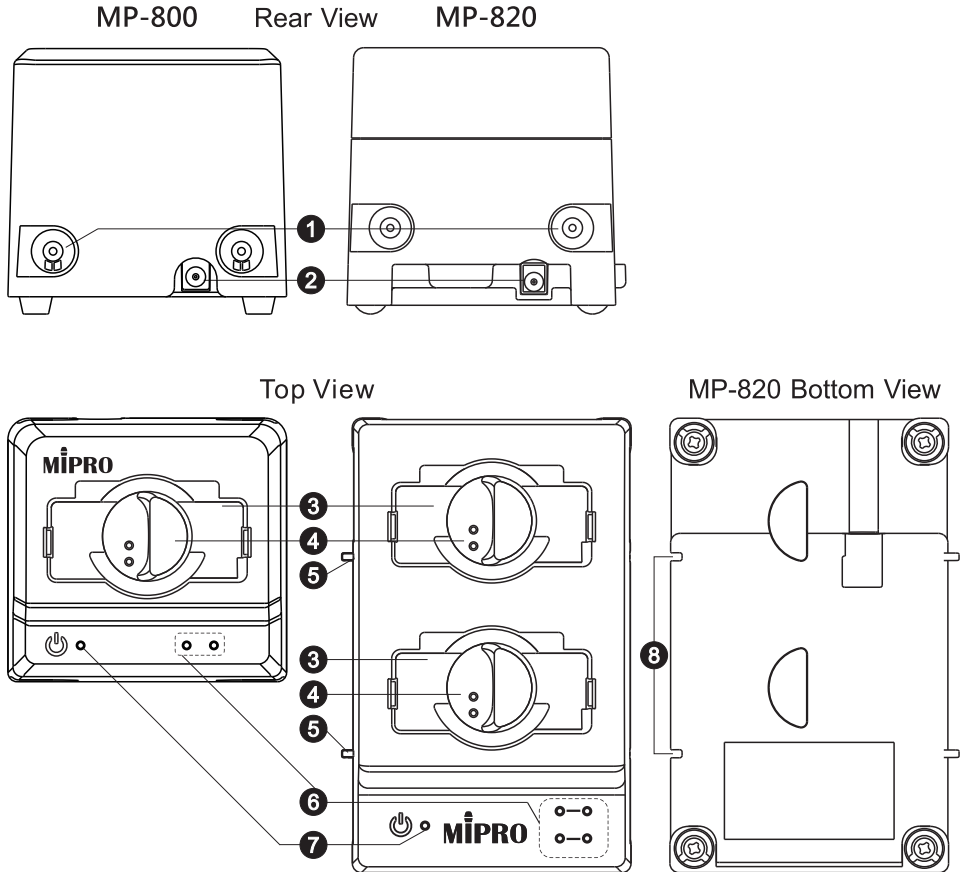
MP-800 Single Slot Transmitter Charging Station



MP-820 Dual Slot Transmitter Charging Station



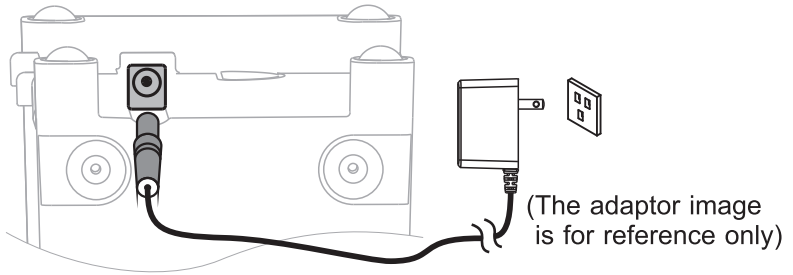
Part Names



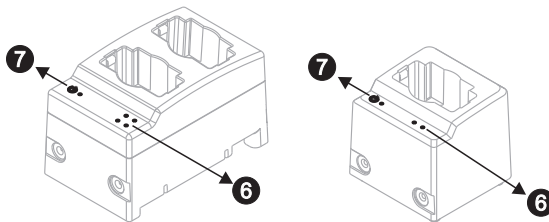
- 1** Screw Holes for Connecting Plates
- 2** DC Power Jack
- 3** Charging Slot for Bodypacks
- 4** Charging Slot for Handhelds
- 5** Tenon for Multiple Charging Station Connection
- 6** Charging Indicator
- 7** Power Indicator
- 8** Mortise for Multiple Charging Station Connection

Operating Instructions

1. To connect to the DC power jack of the main chassis, push the DC output plug of the adaptor following the channel guide.



2. The power indicator **7** glows in green when the power supply is plugged in and works normally.
3. Insert the transmitters into the charging station in the correct direction.
4. Charging Indicator **6** : red light denotes charging; green light denotes full charge. No light when no transmitter is inserted.



5. Cautions:

- Be sure to use the designated MIPRO power supply to avoid inadequate voltage or current. Ensure input supply voltage does not exceed a specified value to avoid damage to the charging station, rechargeable batteries and transmitters. MIPRO's switching power supply has an output rating of 12 V / 0.5 A.
- Power off the charging station before charging.
- Do not use undesignted charging stations to avoid possible danger.
- The bodypack transmitter is not allowed to be inserted into the charging slot when the belt clip is upside down.

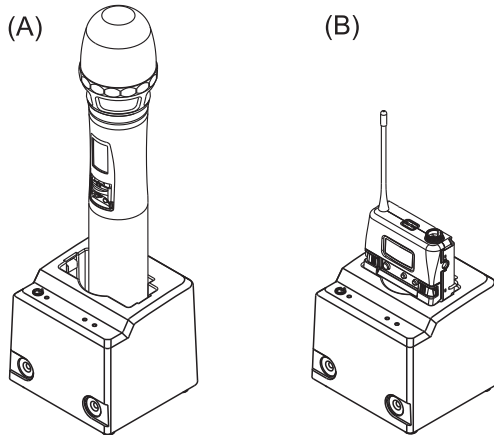
Compatible Models and Usage

1. Compatible Models

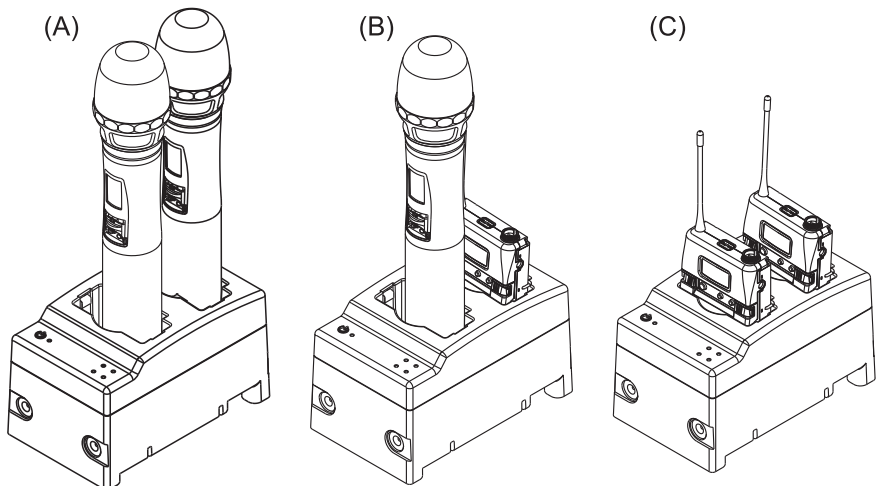
Handheld transmitters: ACT-800H / 700H / 500H

Bodypack transmitters: ACT-800T / 700T / 500T

2. MP-800 Usage

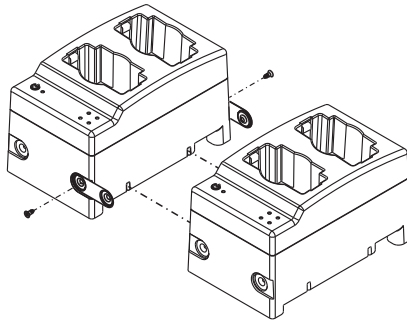


3. MP-820 Usage

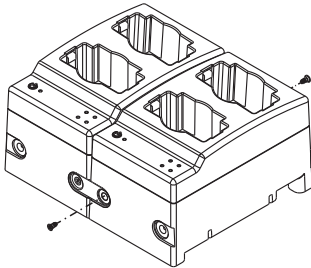


Assembly of Multiple Charging Stations

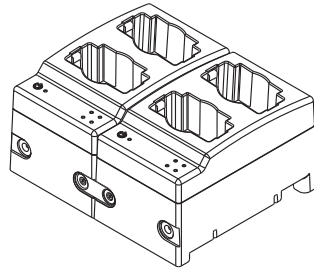
1. Fitting tenon to mortise of another charging station, and using the connecting plate to connect two charging stations.



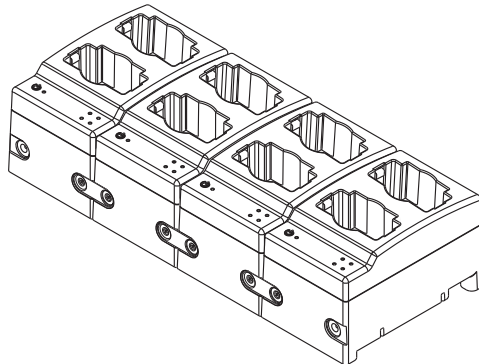
2. Fasten screws.



3. A dual charging station is complete.



4. Repeat the same step to assemble more charging stations.



5. To assemble multiple MP-800 charging stations, do likewise.

Note

Refer to the actual product in the event of product description discrepancy.



Dispose of any unusable devices or batteries responsibly and in accordance with any applicable regulations.

Disposing of used batteries with domestic waste is to be avoided!



Batteries / NiCad cells often contain heavy metals such as cadmium(Cd), mercury(Hg) and lead(Pb) that makes them unsuitable for disposal with domestic waste. You may return spent batteries/ accumulators free of charge to recycling centres or anywhere else batteries/accumulators are sold.



By doing so, you contribute to the conservation of our environment!

MIPRO Electronics Co., Ltd

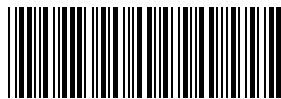
Headquarters: No. 814, Beigang Rd., Chiayi City 600079, Taiwan

Tel : +886-5-238-0809

Fax : +886-5-238-0803

www.mipro.com.tw

mipro@mipro.com.tw



2CE686B

All rights reserved. Do not copy or forward without prior approvals of MIPRO.
Specifications and design subject to change without notice. YM 023/12