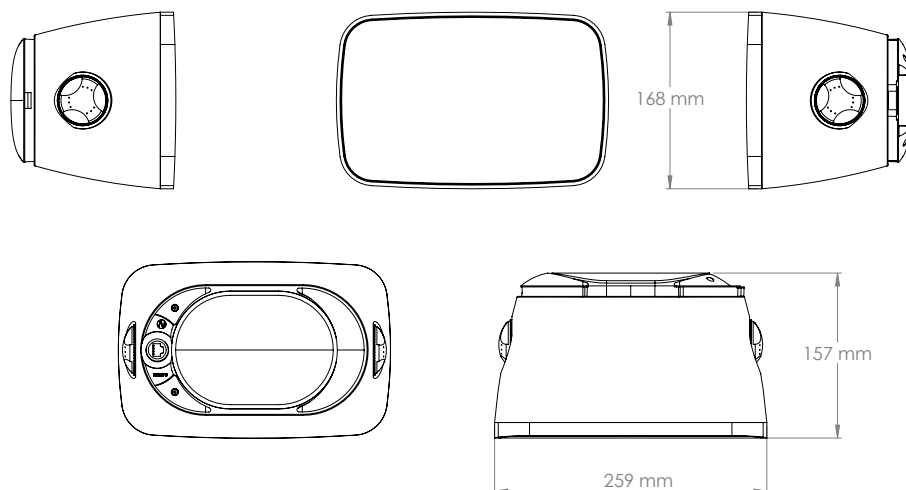


## Weatherproof loudspeaker PoE+ Dante™ / AES67 5" Two-way with Passive Radiator



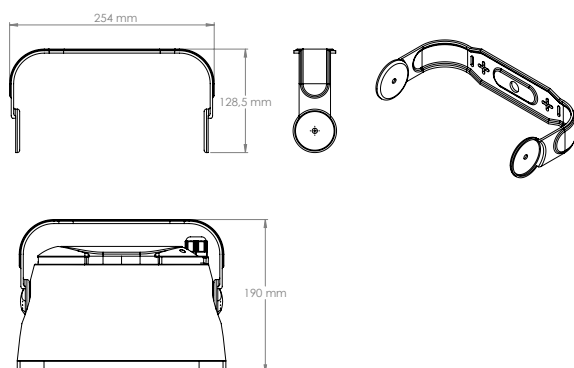
Reference	SPWP50DP
Type	2-way with Passive Radiator
Amplification	60W (class D)
Dante™ Receiver	1 (16 / 24 / 32 bit - 44.1 to 48 kHz)
Transducers	5" woofer + 1" tweeter
Peak SPL capacity (1 m)	110 dB
Bandwidth (-10 dB)	50Hz - 18kHz
Directivity (HxV)	90°x90°
Input connectors	1xRJ45
Insert	2xM6
Dimensions (HxWxD)	259x157x168mm
Weight	2.4 kg
Power supply	PoE+ (IEEE 802.3 at)
Accessories	Bracket and cable gland included
Ingress Protection Code	65
Certification	CE

**Dante™** **AES67** **PoE+** **optiZONE**



### Accessories

Bracket (included)



Cable gland (included)

