

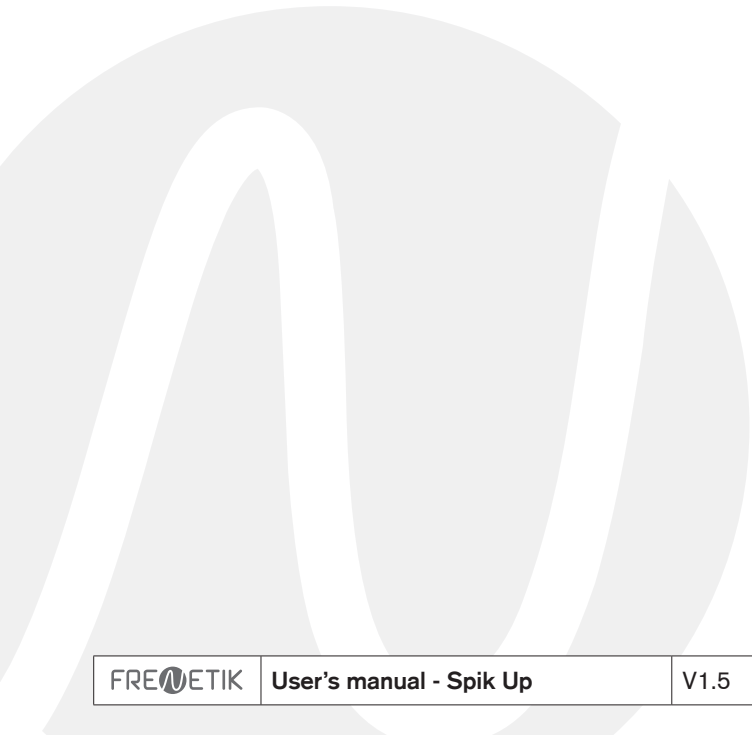


Spik Up

Dante™ PoE+
8" 2-way amplified
ceiling speaker

User's manual





SPIK UP - USER MANUAL

Page

1. Carton Contents	4
2. Connection	4
3. Setting up a Dante™ network	4
4. Routing with the Dante™ controller	5
5. Control and monitoring software	5
6. Technical Specifications	6
7. Dimensions	6
8. Connection with a CS80T-W loudspeaker	7
9. Mounting Method	7

1. Carton Contents

- 1 Spik Up speaker
- 1 user manual

2. Connection

For connection to a Dante™ network, connect the RJ45 socket, with a Cat 5 or Cat 6 network cable, to an Ethernet Switch, accepting a minimum 100 Mbit/s Fast Ethernet link speed. The connection is also used to power the speaker via the network using PoE (Power over Ethernet) technology. A PoE switch or PoE injector must therefore be used. To obtain full power, a PoE+ power supply according to the IEEE 802.3at-2009 «PoE+» standard must be used.

3. Configuring a Dante™ Network

- 1) Start the Dante™ Controller software.
- 2) Wait until the devices visible on the network appear in the software matrix. Note: If a device does not appear, there are several possible reasons, including:
 - the device is not powered on / powered up
 - the device is in another subnet
 - the device cannot be synchronized with other Dante™ devices.

For either of the last two reasons, the Dante™ device must at least be visible in the Network View under the «Device Info» or «Clock Status» tab. Stopping and then restarting the speaker could be a quick fix to the problem. Further information can be found in the Audinate Dante Controller manual.

- 3) From the Dante Controller menu bar, select «Device / Device View» or press the Ctrl+D key combination. The «Device View» window will appear.
- 4) From the drop-down menu below the menu bar, select the speaker to be configured.
- 5) In the third tab «status», various information about the device is available.
- 6) Click the «Device Config» tab. If necessary, adapt the «Sample Rate» to that used in the network Dante™ (all devices must have the same sample rate in order to work together).
- 7) In the «Rename Device» field, you can change the name used for the device in the Dante network for better identification. Confirm any changes by pressing the «Apply» button.
- 8) From the «Network Config» tab, you can, if necessary, change the network settings for the Dante™ interface of the speaker.

4. Routing with the Dante™ Controller

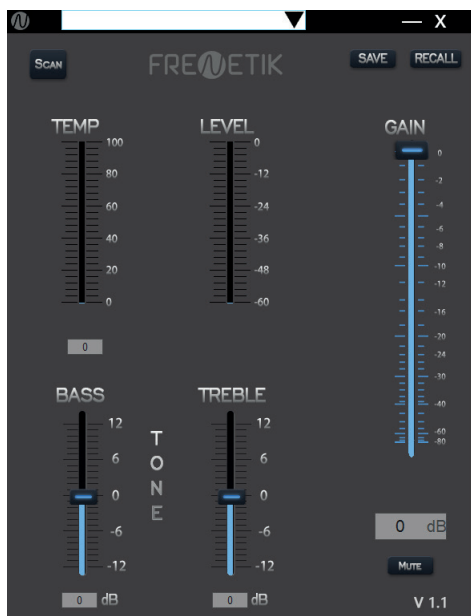
In order to configure the audio streams you need to:

- 1) In the main window, in the «Routing» tab, open the channels of the transmitter device on the right «Dante™ Transmitters» and the channels of the receiver device under «Dante™ Receivers» by clicking on the + buttons.
- 2) Click on the intersection point between the transmitter channel and the receiver channel.
- 3) Wait until the field displays a green circle with a white check mark. For other connections, repeat these three points.

A User Guide for the Dante Controller can be downloaded from the Audinate website:
<https://www.audinate.com/resources/technical-documentation>

5. Control and monitoring software

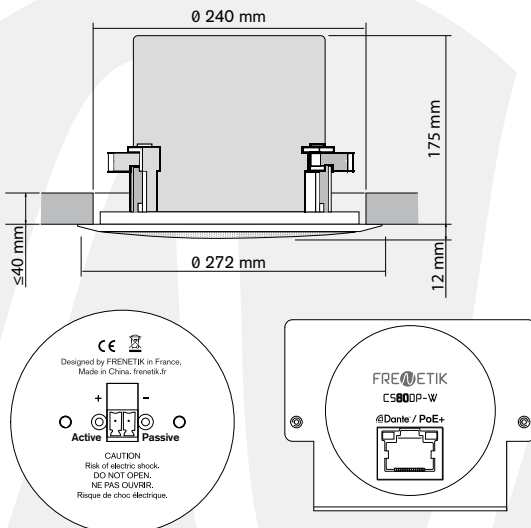
It is possible to download a control and monitoring software for Frenetik Dante™ PoE+ loudspeakers. The Frenetik software allows you to monitor the temperature and the level of the amplifier. It also allows you to adjust the level of the loudspeaker as well as apply an equalization on the treble or bass. To save these settings, press the «SAVE» button. The «RECALL» button allows you to return to the original configuration.



6. Spécifications techniques

Ref.	CS80DP-W
Type / number of channels	2-way coaxial ceiling speaker
Power (passive mode)	40 W (8 ohms)
Amplification	60 W (classe D)
Dante™ Receiver	1 (16 / 24 / 32 bit - 44,1 to 96 kHz)
Size of HP	1 woofer 8" 1 tweeter 1"
Peak SPL capacity (1 m)	110 dB
Bandwidth (-10 dB)	100 Hz - 16 kHz
Directionality (H x V)	100° x 100°
Connectivity	1 x RJ45, 1 Euroblock connector
Dimensions	Ø 272 x P 187 mm
Drilling diameter	Ø 240 mm
Built-in depth	175 mm
Weight	3,1 kg
Power supply	PoE+ (IEEE 802.3 at)
Certification	CE

7. Dimensions

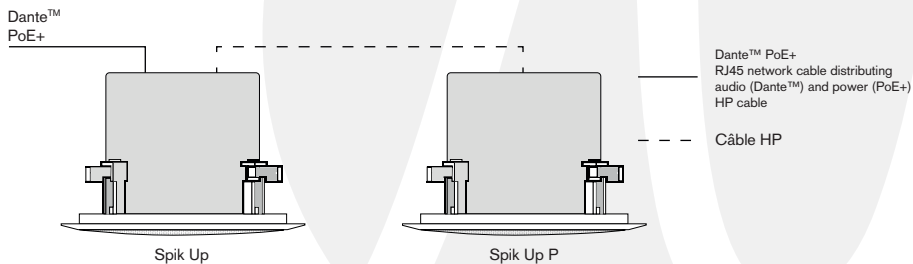


Connectique (sélection automatique du mode actif ou passif mais ne pas tenter de faire fonctionner avec les deux modes en même temps)

8. Connection with a CS80T-W passive loudspeaker

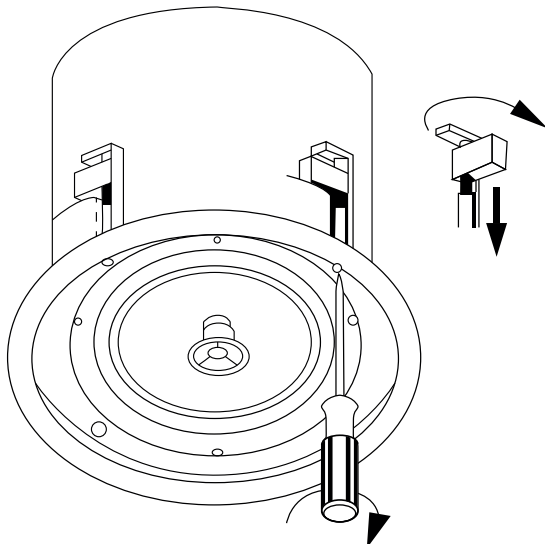
It is possible to connect a passive Spik Up P speaker to the Euroblock output of the Dante™ PoE+ Spik Up speaker.

Both speakers will output the same audio signal.



9. Mounting Method

- Drill a 240 mm diameter hole.
- Connect the network cable to the RJ45 socket.
- Connect the loudspeaker cable to the Euroblock connector (optional if using passive loudspeaker).
- Remove the grill.
- Fix as below, then replace the grill.





FRENETIK - 1 Allée d'Effiat - Le Parc de l'Événement - Bât. H
91160 Longjumeau - France
+33 (0)1 69 10 50 81
frenetik.fr