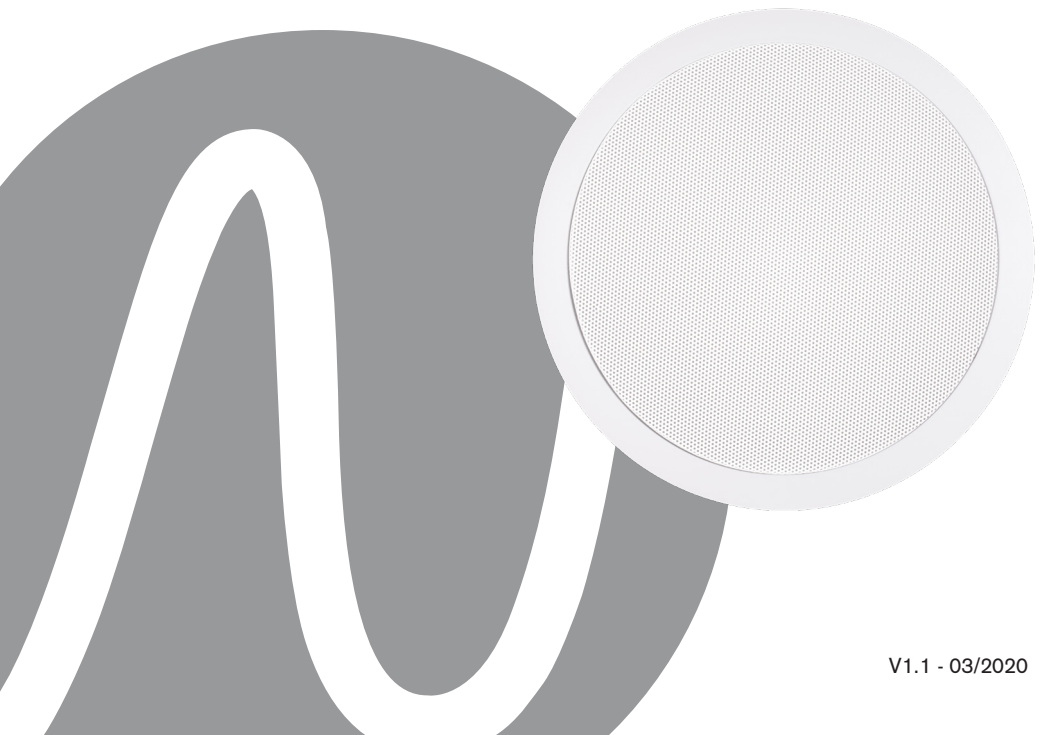




Spik Up P

8" passive
2-way ceiling speaker
with transformer

User's manual





SPIK UP P - USER MANUAL

Page

1. Carton Contents	4
2. Technical Specifications	4
3. Dimensions	4
4. Connecting to a CS80DP-W loudspeaker	5
5. Operating mode selection (low impedance or 100V)	5
6. Mounting Method	6

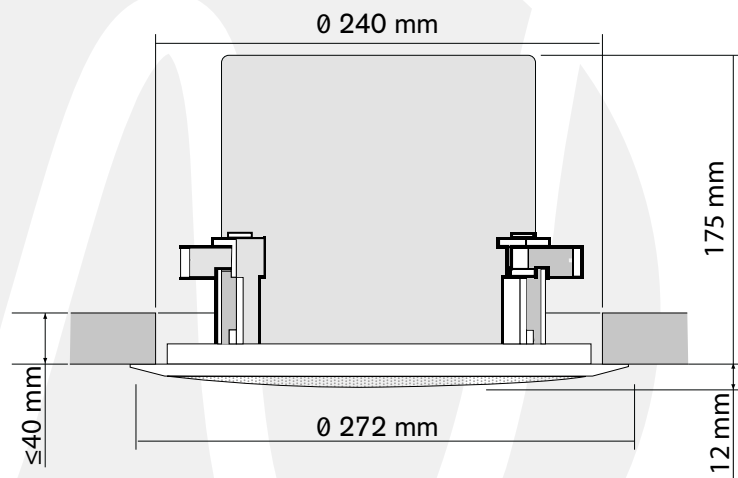
1. Contenu du carton

- 1 Spik Up P speaker
- 1 user manual

2. Technical Specifications

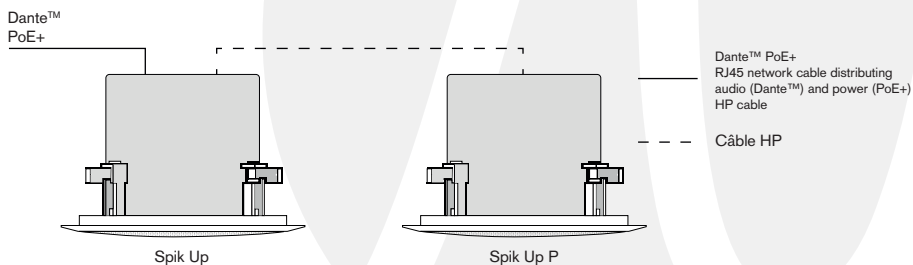
Ref.	CS80T-W
Type / number of channels	2-way coaxial in-ceiling speaker
Power	40W (8 ohms) or 5 W / 10 W / 20 W / 40 W / 100 V
Size of HP	1 woofer 8" 1 tweeter 1"
Peak SPL capacity (1 m)	112 dB
Bandwidth (-10 dB)	100 Hz - 16 kHz
Directivity (H x V)	100° x 100°
Connections	Bornier
Dimensions	Ø 272 x P 187 mm
Drilling diameter	Ø 240 mm
Built-in depth	175 mm
Weight	3,10 Kg

3. Dimensions



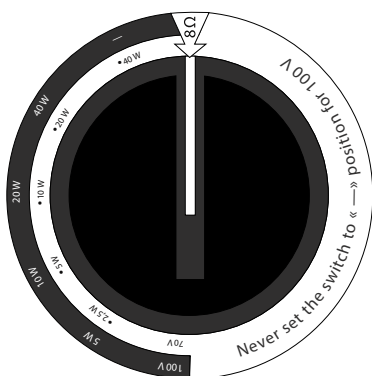
4. Connection with a Dante™ PoE+ CS80DP-W

It is possible to connect a passive Spik Up P speaker to the Euroblock output of the Dante™ PoE+ Spik Up speaker. In this case the 8 ohm operating mode must be selected, and both speakers will output the same audio signal.



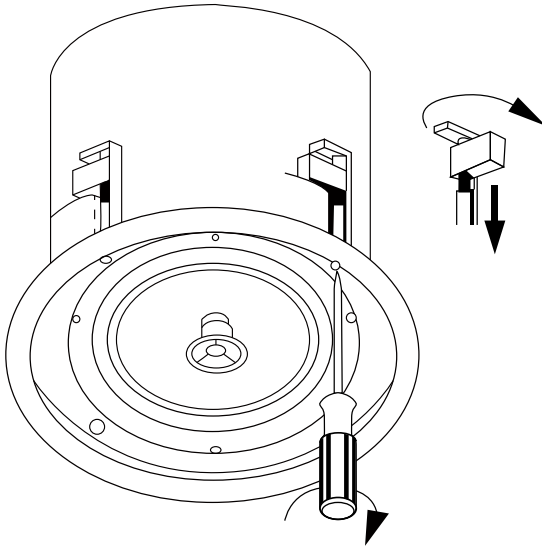
5. Operating mode selection (low impedance or 100 V)

It is possible to operate the Spik Up speaker in low-impedance mode or in 100 V (or 70 V) mode at different powers. To do this, simply set the rotary selector switch to the position corresponding to the desired operating mode. Caution, in 100 V mode, never use the «—» position.



6. Mounting Method

- Drill a 240 mm diameter hole.
- Connect the speaker cable.
- Remove the grill.
- Attach as shown below, then replace the grill.







FRENETIK - 1 Allée d'Effiat - Le Parc de l'Événement - Bât. H
91160 Longjumeau - France
+33 (0)1 69 10 50 81
frenetik.fr